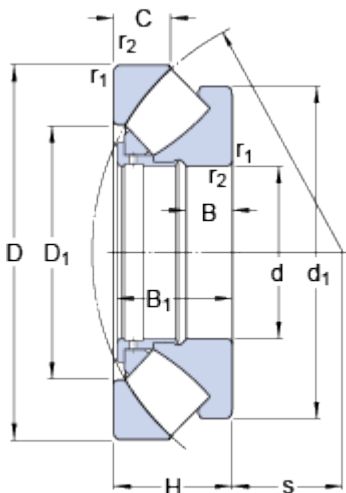


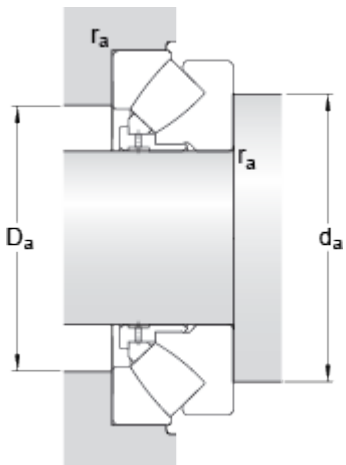
29284

Dimensions



d	420	mm
D	580	mm
H	95	mm
d_1	≈ 564	mm
D_1	≈ 489	mm
B	30	mm
B_1	91	mm
C	46	mm
s	225	mm
$r_{1,2}$	min. 5	mm

Abutment dimensions



d_a	min. 500	mm
D_a	max. 525	mm
r_a	max. 4	mm

Calculation data

Basic dynamic load rating	C	1990	kN
Basic static load rating	C_0	9800	kN
Fatigue load limit	P_u	815	kN
Reference speed		630	r/min
Limiting speed		1000	r/min
Minimum axial load factor	A	9.1	

Mass

Mass bearing		75.5	kg
--------------	--	------	----